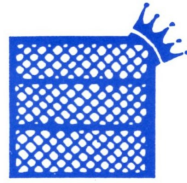


# ROYAL



**FILTER MANUFACTURING COMPANY**

4327 South 4th Street • Chickasha, OK 73018 • (405) 224-0229

## SYNTHETIC MEDIA CARTIDGES

### RSLH SERIES

The Royal Filter RSLH synthetic media cartridge can be designed using either microglass or polyester media and can be used in a wide variety of applications such as : water based fluids, chemicals, and petroleum based products. The RSLH series is pleated with epoxy coated wire mesh backing for pleated stability and added durability. End caps are tin-plated steel . Center cores are helical wrapped perforated tin-plated steel. Buna N gaskets and thermosetting PVC adhesives are standard. Other gasket options are available along with Epoxy potting adhesive. The standard RSLH cartridge does not have a outer body. A outer body option is also available.

The RSLH Cartridges are available in nominal micron ratings from 0.5 to 40 microns. The 0.5 through 10 microns cartridges are constructed with polyester supported microglass and epoxy coated wire mesh backing. The 20 and 40 micron cartridges are constructed using polyester media with epoxy coated wire mesh backing. These cartridges are high performance replacements for pleated cellulose cartridges.

Royal Filter RSLH Cartridges are offered in a wide variety of cartridge configurations and sizes to replace competitive products such as:

American Filter Technologies	Hilco
Cooper Bessemer (Cameron)	Kaydon
C & M Filters	Nugent
Donaldson	Refilco
Filterdyne	Sunnen
Frick (Johnson Controls)	Velcon (Parker)
Fluitek	And Others



### Product Specifications

- pH range: 5 to 9
- Maximum Differential Pressure: 75 psid
- Maximum Operating Temperature: 250 F
- Media: Polyester Supported Microglass, 0.5 to 10 µm; Polyester 20 and 40 µm
- Epoxy Coated Wire Mesh Backing
- Center Core: Tin-Plated steel helical wrapped
- Gaskets: Buna N (other options available)
- Bonding Adhesive: Thermosetting PVC, Epoxy

### Performance

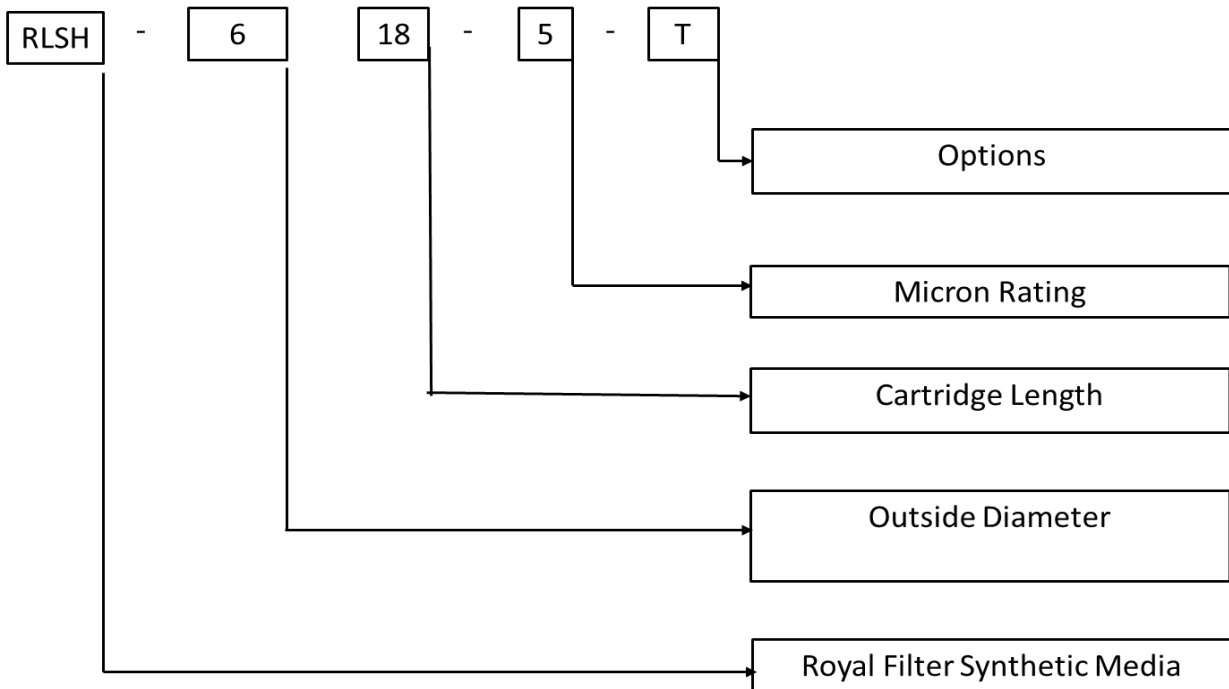
The RLSH Filter Cartridges are nominally rated at their listed micron rating.

### APPLICATIONS

Hydraulic Oils	Compressor Lube Oils
Turbine Lube Oils	Seal Oils
Water Soluble Oils	Cutting Coolants
Paper Machine Lube Oils	Rolling Mil Oils
Synthetic Oils	Chemical
Process Water	Waste Water



## FILTER ELEMENT NUMBERING SYSTEM



Options
A = No Outer Body
EX = Epoxy Adhesive
H = Handle
P = Perforated Outer Body
T = Threaded Base
V = Viton Gaskets
1 = Special ID
2 = Wire Backing on Both Sides of Media
3 = Special Size, Hilco Replacement

### NOTES :

1. Dimensions are listed for 5 micron elements only. Elements with other micron ratings will have the same dimensions.
2. Elements are available in 0.5, 1, 3, 5, 10, 25, and 40 micron nominal ratings
3. Recommended change out differential pressure—25 psid
4. Consult the factory for information on sizing, flow rates, and other information.
5. Buna N gaskets are standard on RSLH elements, Other gasket options are available.
6. Tin-Plated steel center cores are standard without outer cage. Outer cage option is available.



### Royal Filter Synthetic Media Filter Element Specifications

Part Number	OD	Length	ID	Options
RSLH-310-5	2 1/2	9 7/8	1 1/16	
RSLH-310-5-3	2 1/2	9 11/16	1 1/16	Hilco Replacement
RSLH-511-5	4 1/2	11	1 3/4	
RSLH-518-5-3	4 1/2	18	2 5/8	Hilco Replacement
RSLH-614-5	6	14 1/2	3 1/2	
RSLH-618-5	6	18	3 1/2	
RSLH-618-5-3	6	18	3 3/16	Hilco Replacement
RSLH-718-5	6	18	2 5/8	
RSLH-718-5-1	6	18	2 1/8	Small ID
RSLH-718-5-2	6	18	2 5/8	Wire backing on both sides of media
RSLH-718-5-2P	6	18	2 5/8	Outer Body, Wire backing on both sides of media
RSLH-718-5EXV	6	18	2 5/8	Viton Gaskets, Epoxy Adhesives
RSLH-718-5P	6	18	2 5/8	Outer Body
RSLH-718-5TP	6	18	3	3" Threaded Base, Perforated Cage
RSLH-736-5	6	36	2 5/8	
RSLH-736-5-1	6	36	2 1/8	Small ID
RSLH-736-6-2	6	36	2 5/8	Wire backing on both sides of media
RSLH-736-5P	6	36	2 5/8	Perforated Outer Body
RSLH-736-5-PH	6	36	2 5/8	Perforated Outer Body, Handle
RSLH-736-5-TP	6	36	3	3" Threaded Base, Perforated Outer Body
RSLH-7618-5	6	18	3 1/2 x 2 5/8	Nugent Replacement
RSLH-7636-5	6	36	3 1/2 x 2 5/8	Double Length Nugent Replacement
RSLH-636-5-3	6	36	3 3/16	Double Length Hilco Replacement



## **FILTER MANUFACTURING COMPANY**

4327 South 4th Street • Chickasha, OK 73018 • (405) 224-0229

Royal Filter specializes in quality liquid and air filter products for a wide variety of industrial applications.

### **MADE IN THE USA**

Royal Filter utilizes the latest modern manufacturing techniques and equipment. Our pleaters and cure ovens give us the capability to produce a variety of different elements, utilizing single piece construction up to 60" in length. Working with our long term suppliers and continuous improvement training with our employees with an emphasis on quality, we offer a superior product at a competitive price.

Our modern 60,000 square foot manufacturing facility is designed to allow a smooth and efficient flow of products, from incoming raw materials to outgoing shipments of finished products. This helps to ensure prompt, on time deliveries.

Our elements are constructed of the highest quality components. Many different cartridge configurations, media, and materials of construction are available to fit you specific application.

Please visit our website at [www.royalfilter.com](http://www.royalfilter.com)

### **SUPERIOR CUSTOMER SERVICE**

- Toll Free number for technical service or product information: 1-800-256-2559.
- LTL shipments are palletized at no charge
- 99% Efficiency on shipping order(s) per terms of agreement.
- Our central location reduces freight costs and transit time.
- Drop ship to your customers for shorter delivery times and shipping costs.
- Third party freight billing and freight quotes are available at no additional charge.
- Excellent competitor and OEM cross reference information available.
- Special elements can be designed, tested, and manufactured to customer specifications.
- A firm commitment from ROYAL FILTER MANUFACTURING to excellence in product quality, customer service, and price.

For the Royal Filter Distributor nearest you,  
contact:

**Royal Filter Manufacturing Company**  
4327 South Fourth Street  
Chickasha, OK 73018

**Phone:** (405) 224—0229  
**Toll Free:** (800) 256—2559  
**Fax:** (405) 224—9174